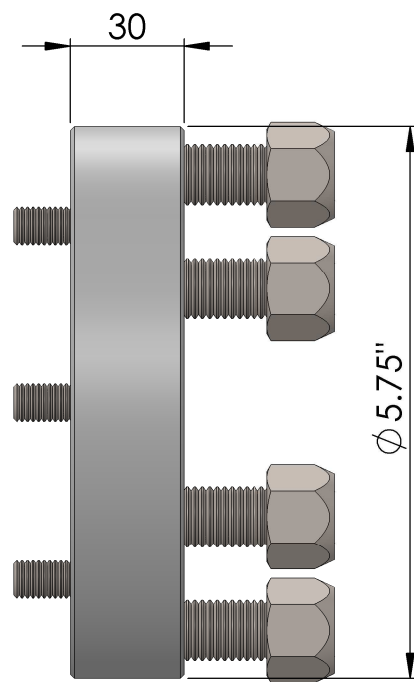
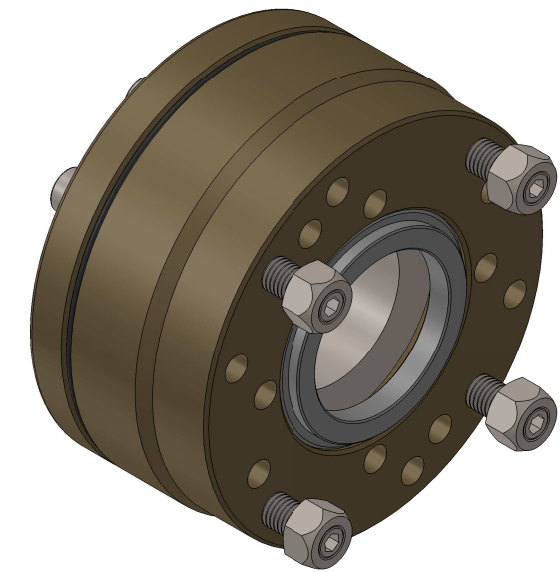
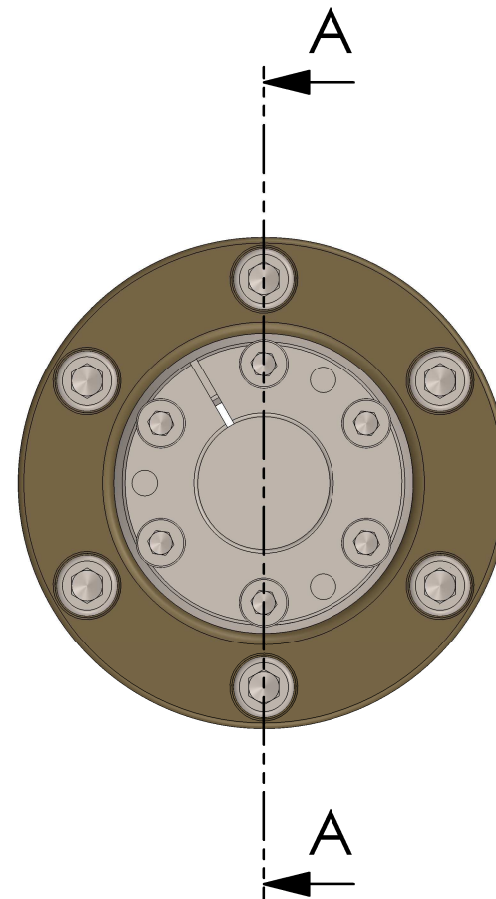


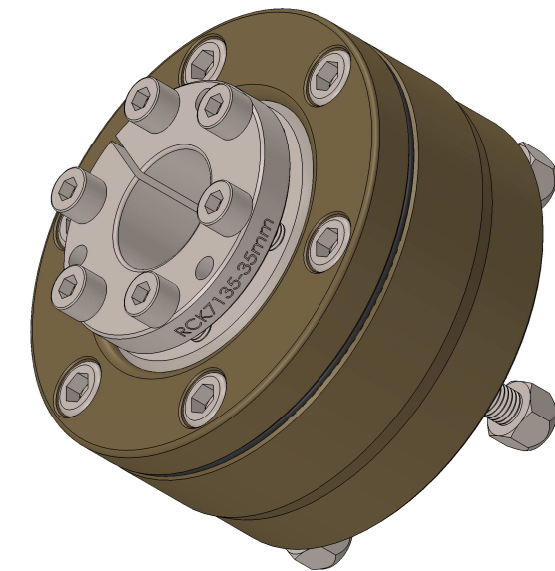
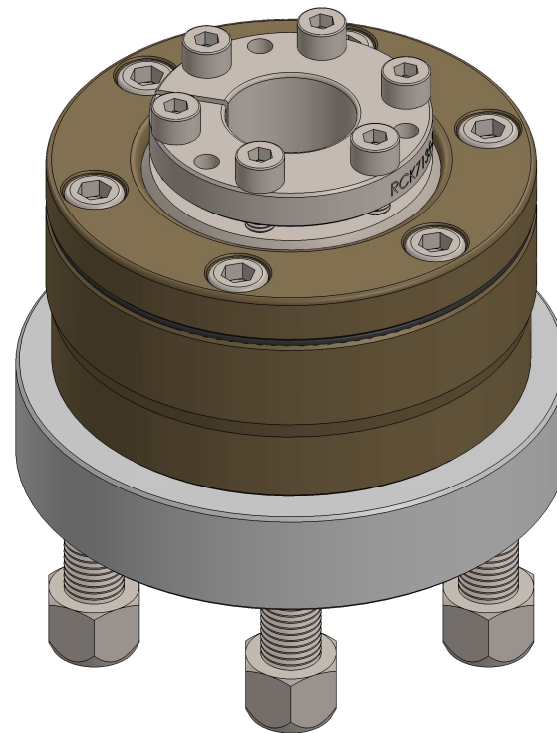
SECTION A-A



ADF003 - 5.75" ADAPTOR FLANGE



SHAFT DIAMETER (A)	SHAFT DEPTH (B)
30mm	35mm
35mm	40mm
40mm	45mm
45mm	50mm
1.5"	45mm
1.75"	50mm



Drawn date:	Scale: N.T.S.	Drawing title: SD100 MAIN DIMENSIONS
Drawn by:	Units: mm	
Drawing number:		 http://www.autoprop.info/ Brunton's Propellers Ltd, Oakwood Business Park, Stephenson Road, Clacton-on-Sea, Essex, CO15 4TL, UK T: +44 (0) 1255 420 005
Issue:	Sheet: of	