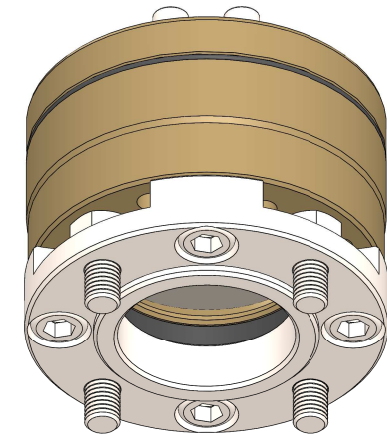
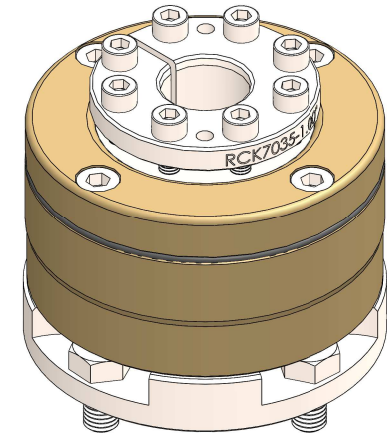
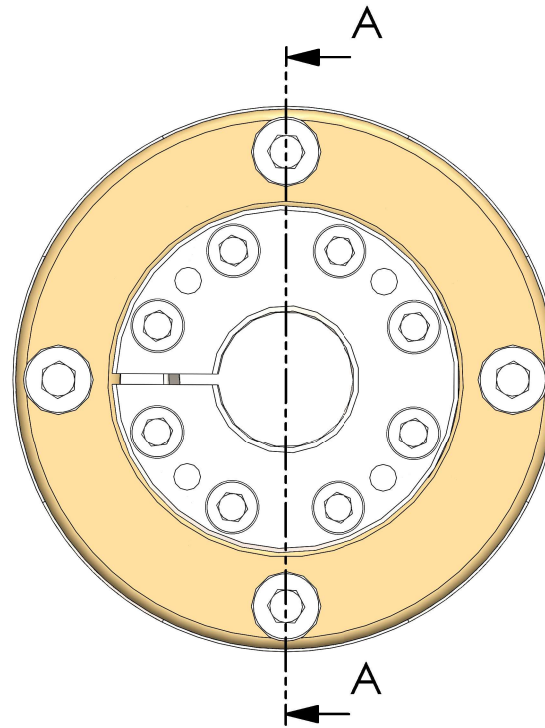


SECTION A-A



Drawn date: 14/08/17

Scale: N.T.S.

Drawn by: D.W.

Units: mm

**Drawing number:**

Issue:

Sheet: 1 of 1

**Drawing title:** SD55 ADF002 MAIN DIMENSIONS



<http://www.autoprop.info/>

Brunton's Propellers Ltd, Oakwood Business Park,  
Stephenson Road, Clacton-on-Sea, Essex, CO15 4TL, UK  
T: +44 (0) 1255 420 005