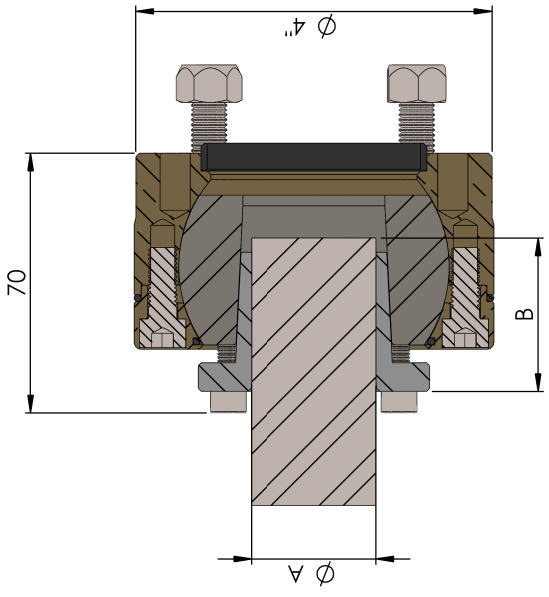
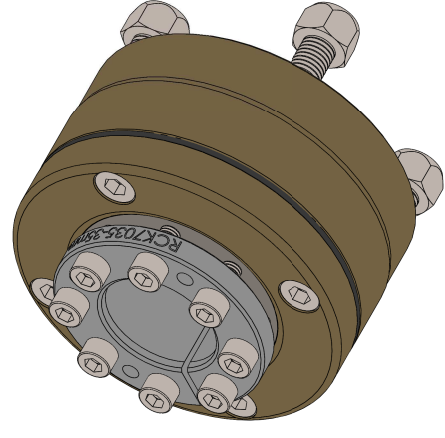
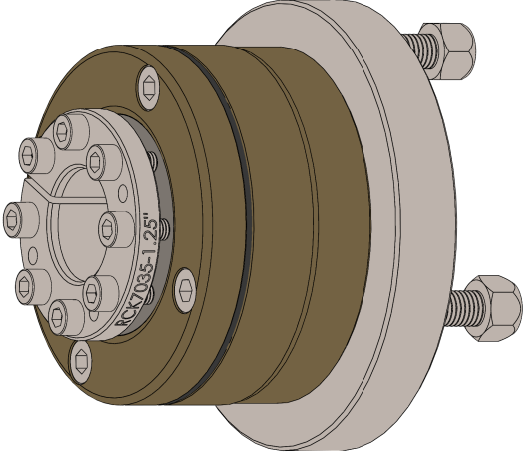


ADF001 - 5" ADAPTOR FLANGE



SECTION A-A

SHAFT DIAMETER (A)	SHAFT DEPTH (B)
25mm	30mm
30mm	35mm
35mm	40mm
1"	30mm
1.25"	35mm
1.5"	40mm



Drawn date:	Scale: N.T.S.	Drawing title: SD55 MAIN DIMENSIONS
Drawn by:	Units: mm	
Drawing number:	Sheet: of	 Brunton's Propellers Ltd. Oakwood Business Park, Stephenson Road, Clacton-on-Sea, Essex, CO15 4TL, UK T: +44 (0) 1255 420 005 http://www.autoprop.info/
Issue:		